

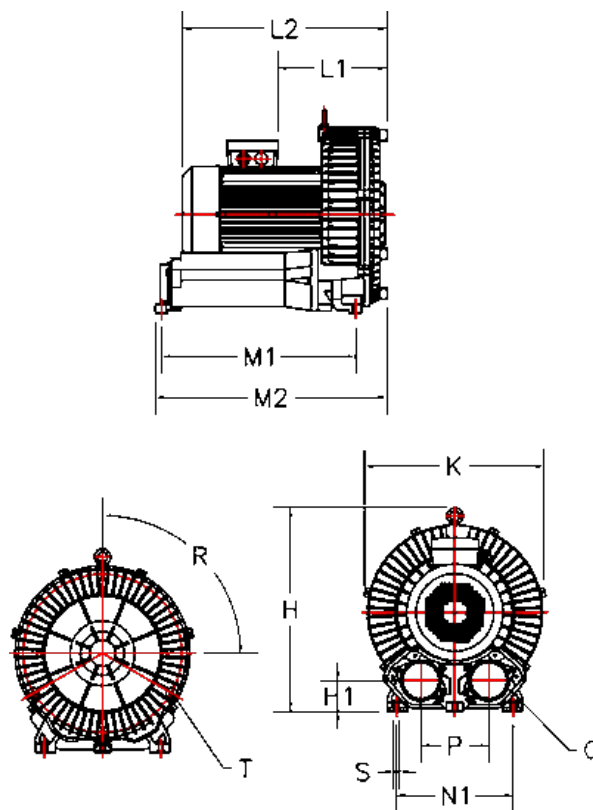
Data Sheet



Article number: 2761091990021

Description: KLEEblower KB919 9/11 kW
3x230/400V 50/60Hz Single stage with Klixon/built in bimetal switch

Measures



H = 629	N1 = 360
H1 = 95	Noise level dB 50/60Hz = 76/81
K = 560	P = 210
L1 = 337	Q = 2-PF 4"
L2 = 631.5	R (degrees) = 3x120
M1 = 600	S = 6 x Ø16
M2 = 715	T = 3 - M12X1,75 - 15 dyb
N = 415	